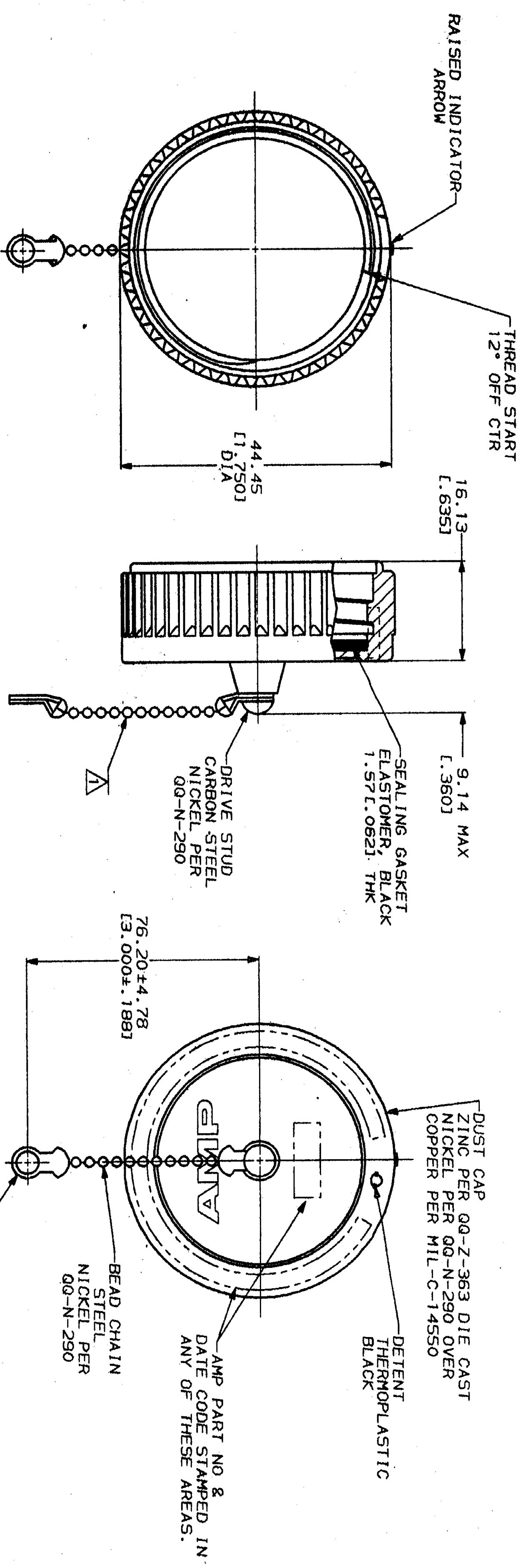


REV	DATE	APPD	DESCRIPTION
23	BD 39		REVISIONS
			REMANAN & REV ECM 805241



△ BEADED PORTION OF CHAIN MUST ROTATE FREELY. THE EYELET OF THE CHAIN IS NOT REQUIRED TO SPIN FREELY AROUND THE STUD.

DO NOT SCALE PRINT. UNLESS SPECIFIED DIMENSIONS IN INCHES TOLERANCES ON: 1 P.L.C. DEC ± 0.25 (0.10) 2 P.L.C. DEC ± 0.25 (0.10) 3 P.L.C. DEC ± 0.25 (0.10) ANGLES ±		DR 08/13/91 R. SHINEY	9-11-91	AMP	AMP Incorporated Harrisburg, PA 17105-3608
MATERIAL SEE CALLOUTS		APPD K. Blawie 9-17-91	NAME	PROTECTIVE CAP ASSEMBLY, SIZE 22, CMC	
FINISH SEE CALLOUTS		PRODUCT SPEC 9-14-91	SIZE	CASE CODE	DRAWING NO
			C	00779	211903
			SCALE	2:1	SHEET 1 OF 1

CUSTOMER DRAWING